

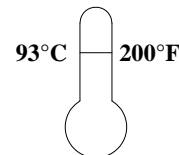
MODEL 401P SOLENOID VALVE INSTALLATION INSTRUCTIONS

LINE STRAINER:

A strainer, with an 80-mesh or finer screen, should be installed in the line ahead of the solenoid valve. This will assure tight seating and reliable closing action.

FLUIDS:

Valves are intended for water, air, light oil, and other noncorrosive fluids. They should *not* be used for gasoline and other hazardous or explosive fluids. Maximum fluid temperature is 200° F (93.3°C). Ambient temperature shall not exceed 120°F (48.8°C).



WARNING: NOT FOR USE WITH HAZARDOUS OR CORROSIVE OR EXPLOSIVE FLUIDS.

INSTALLATION:

DEMA valves may be installed in either horizontal or vertical lines and in any position other than with the coil lower than the body.

MODEL NO.	WATTS AC	VOLTS AC	AMPERES				RATED WATTS	D C	
			INRUSH		HOLDING			VOLTS	AMP.
			50 Hz	60Hz	50 Hz	60 Hz			
401P	10	24	1.8	1.5	1.0	0.75	15	12	1.0
		120	0.38	0.33	0.21	0.15		24	0.5
		208	0.22	0.19	0.12	0.09		32	0.4
		240	0.19	0.16	0.10	0.07		115	0.10

VALVE MODEL	Cv	NPT (inches)	ORIFICE DIA. (inches)
401P	0.27	1/4	0.109

PRESSURE DIFFERENTIAL:

0 PSI Min. (0 Bar) and 150 Max. (10.2 Bar)

SERVICING:

- | | |
|---|--|
| <ol style="list-style-type: none"> 1. Failure to open. <ol style="list-style-type: none"> a. No power, or low voltage. b. Open circuit. c. Burned-out coil (usually due to wrong voltage. See stamping opposite junction box). d. Pressure differential too high (see M.O.P.D. on nameplate). e. Moving parts jammed by dirt or damaged solenoid stainless steel tube. | <ol style="list-style-type: none"> 2. Failure to close. <ol style="list-style-type: none"> a. Coil is still energized. b. Valve is installed backward. c. Dirt is on valve seat or pilot seat. d. Dirt is in piston ring or in groove (some models). e. Moving parts jammed by dirt or damaged solenoid stainless steel tube. |
|---|--|

RETURNS:

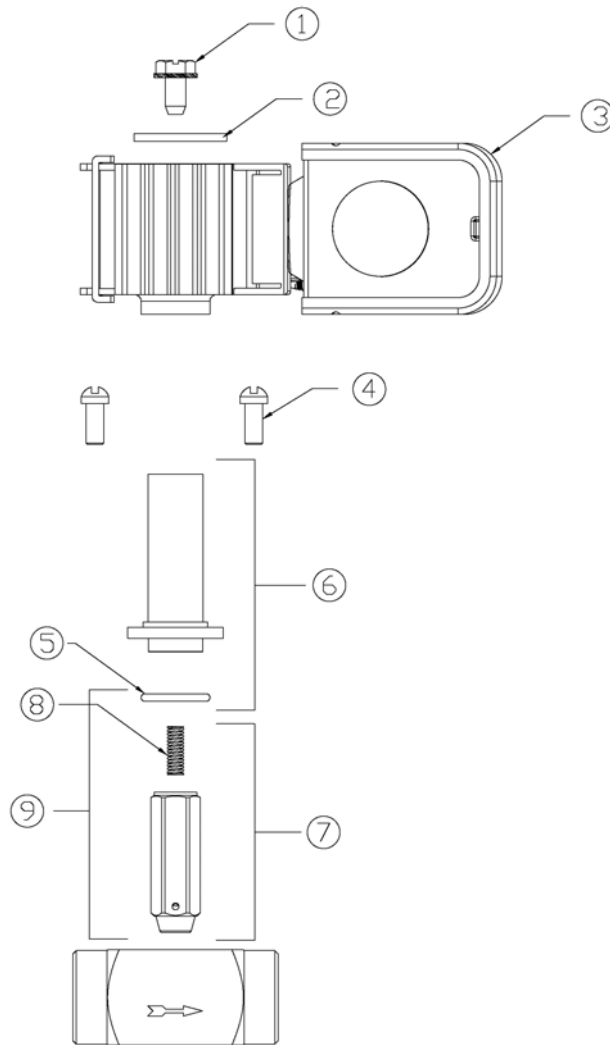
NO MERCHANDISE MAY BE RETURNED FOR CREDIT WITHOUT DEMA'S WRITTEN PERMISSION. RETURN MERCHANDISE AUTHORIZATION NUMBER REQUIRED IN ADVANCE OF RETURN.

WARRANTY:

DEMA products are warranted against defective material and workmanship under normal use and service for one year from the date of manufacture. This limited warranty does not apply to any products which have a normal life shorter than one year or failure and damage caused by chemicals, corrosion, improper voltage supply, physical abuse, or misapplication. Rubber and synthetic rubber parts such as "O"- rings, diaphragms, squeeze tubing and gaskets are considered expendable and are not covered under warranty. This warranty is extended only to the original buyer of DEMA products. If products are altered or repaired without prior approval of DEMA, this warranty will be void.

Defective units or parts should be returned to the factory with transportation prepaid. If inspection shows them to be defective, they will be repaired or replaced without charge, F.O.B. factory. DEMA assumes no liability for damages. Return merchandise authorization number, to return units for repair or replacement, must be granted in advance of return.

MODEL 401P SOLENOID VALVE INSTALLATION INSTRUCTIONS



NO.	PART NO.	DESCRIPTION
1	41-14-1	TOP PLUG SCREW
2	41-13-5	NAME PLATE
3	41-9-1-	SOLENOID COIL (SPECIFY VOLTAGE) JUNCTION BOX AS SHOWN
	41-9C-1-	SOLENOID COIL (SPECIFY VOLTAGE) CONDUIT CONNECTION
	41-9D-1-	DIN COIL (SPECIFY VOLTAGE)
	41-77-100110	(OPTIONAL) DIN FEMALE CONNECTOR
4	41-16-1	ENCLOSING TUBE SCREW
5	41-5-8	O-RING, BUNA-N (1/2 X 5/8 X 1/16)
6	41-7-1	ENCLOSING TUBE AND O-RING
7	41-2-1	STANDARD 401 PLUNGER WITH BUNA-N DISC
	41-2-10	(OPTIONAL) PLUNGER WITH TEFLON DISC (MODEL 401PT)
	41-2-13	(OPTIONAL) PLUNGER WITH VITON DISC (MODEL 401PV)
8	41-1-1	PLUNGER SPRING
9	41-24	REPAIR KIT (401P)